

3500 de Maisonneuve West Blvd, Montreal, QC, H3Z 3B8

Suite #1670

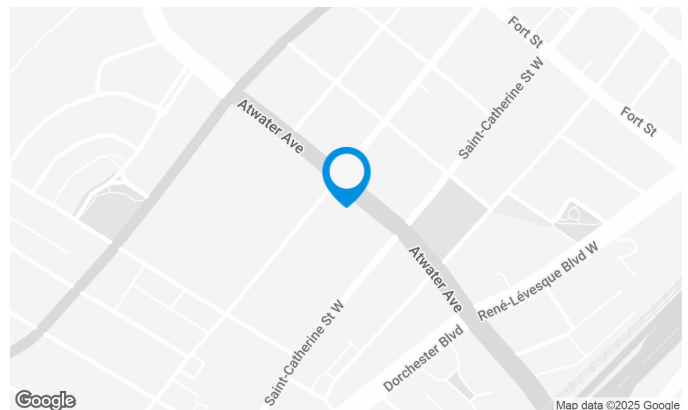
Connect to the Alexis Nihon complex, the 3500 de Maisonneuve is a class A building. Surrounded by many services, like the shopping mall of Alexis Nihon, a direct access to the Atwater subway station is right under the building.

Building characteristics

TOTAL LEASING AREA	312,000 sq. ft.
YEAR OF CONSTRUCTION	1986
NUMBER OF FLOORS	24
ASCENCEURS	6
OPTICAL FIBER	Yes
SPRINKLERS	Yes
GENERATOR	Yes
HVAC HOURS	7:30 a.m. to 6 p.m. (Mon. - Fri.)
SECURITY	Security guards 24 hours/7 days, access cards, cameras
BUILDING SERVICES	cafés, restaurants, grocery store, florist, bank services, pharmacy, hairdresser, etc.

BUILDING ACCESSIBILITY

INDOOR PARKING	1,088
PARC À VÉLOS DISPONIBLE	Yes
ROAD ACCESS	720 Highway, 15 Highway, Sherbrooke street, Sainte-Catherine street
BUS	108, 138, 144, 150, 350, 354, 360, 376
METRO STATION	Green metro line : Atwater station



Julie Coulombe

LEASING ASSISTANT
LEASING

T 418 681-6300

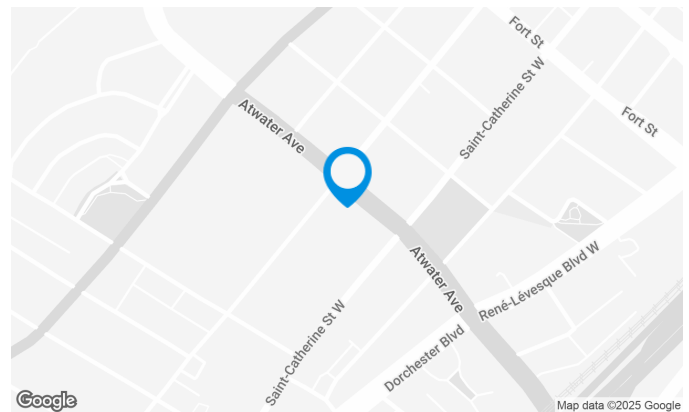
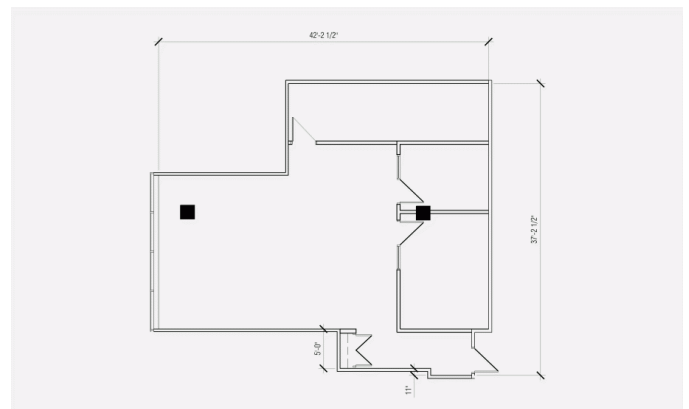
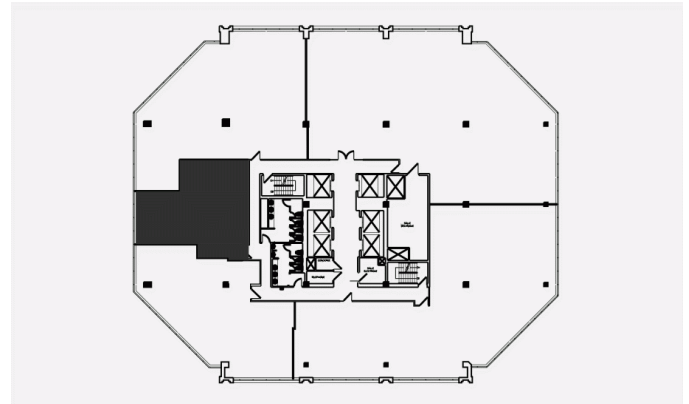
E JULIE.COULOMBE@COMINAR.COM

AWARDS

BOMA Best Gold

Space characteristics

AVAILABLE LEASING AREA	1,456 sq. ft.
AVAILABILITY	Immediate
NUMBER OF FLOORS	1
FLOOR AREA	17,500 sq. ft.
ADDITIONAL RENT	\$15.45 /sq. ft.
ENERGY	Included



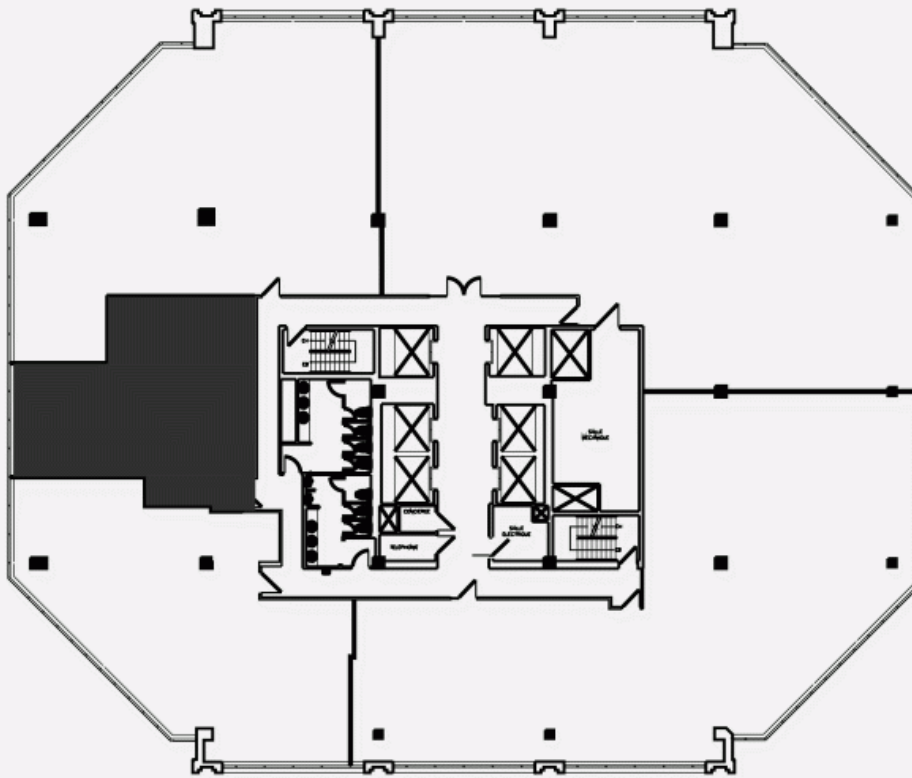
Julie Coulombe

LEASING ASSISTANT
LEASING

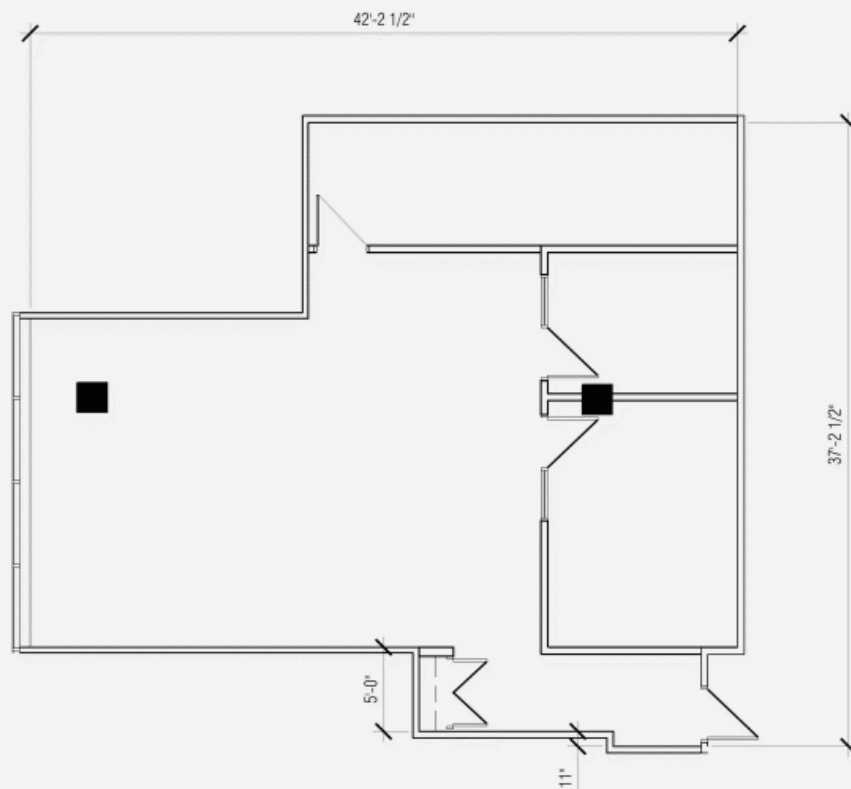
T 418 681-6300

E JULIE.COULOMBE@COMINAR.COM

LOCATION PLAN



LAYOUT PLAN



3500 de Maisonneuve West Blvd, Montreal, QC, H3Z 3B8
Suite #1670





