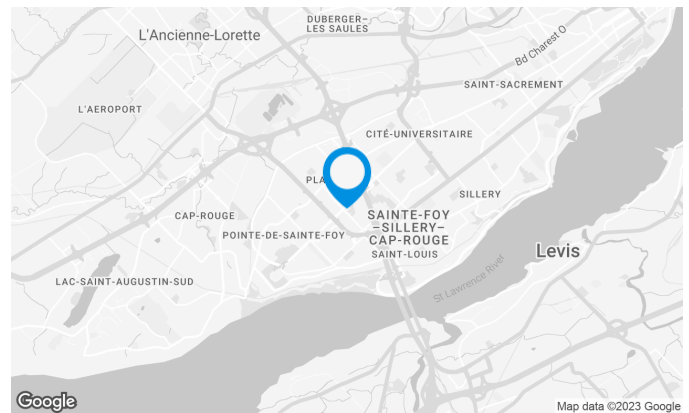


## Building characteristics

TOTAL LEASING AREA	105,547 sq. ft.
LAND AREA	76,122 sq. ft.
NUMBER OF FLOORS	5
ASCENCEURS	1
SPRINKLERS	Yes
GENERATOR	Yes
SECURITY	Alarm system monitored by zone.

## BUILDING ACCESSIBILITY

INDOOR PARKING	234
OUTDOOR PARKING	51
ROAD ACCESS	Access by the Henri IV highway.
BUS	60E, 331, 354, 800, 801, 915



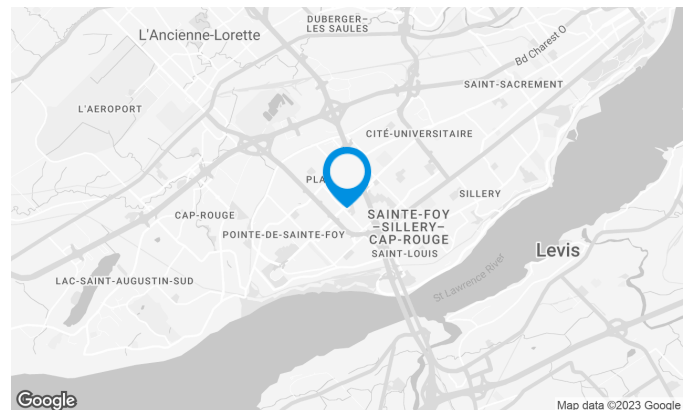
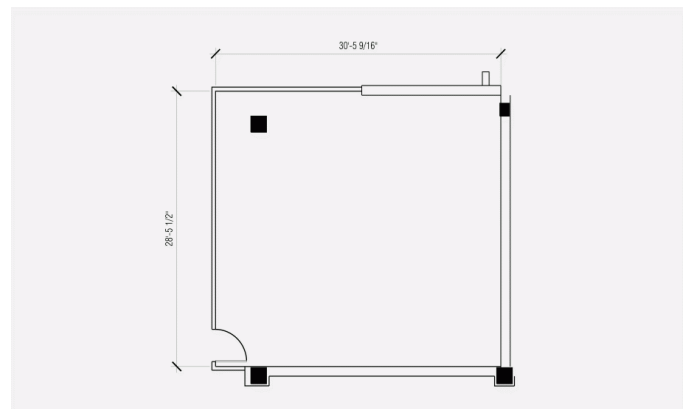
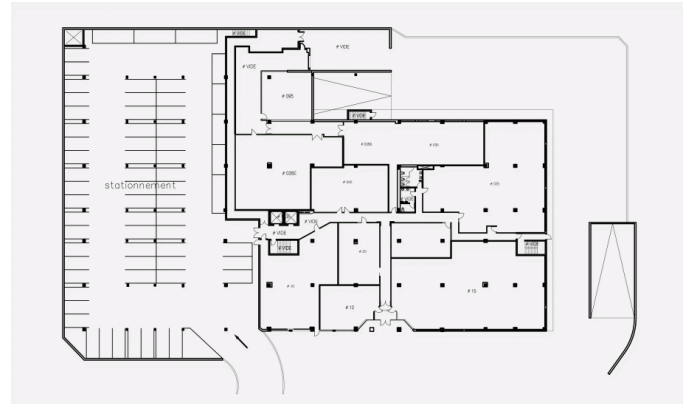
## Location Cominar



**T** 418 681-6300 #2418  
**E** LOCATIONQUEBEC@COMINAR.COM

## Space characteristics

AVAILABLE LEASING AREA	1,039 sq. ft.
NUMBER OF FLOORS	1
FLOOR AREA	13,575 sq. ft.
ADDITIONAL RENT	\$7.35 /sq. ft.

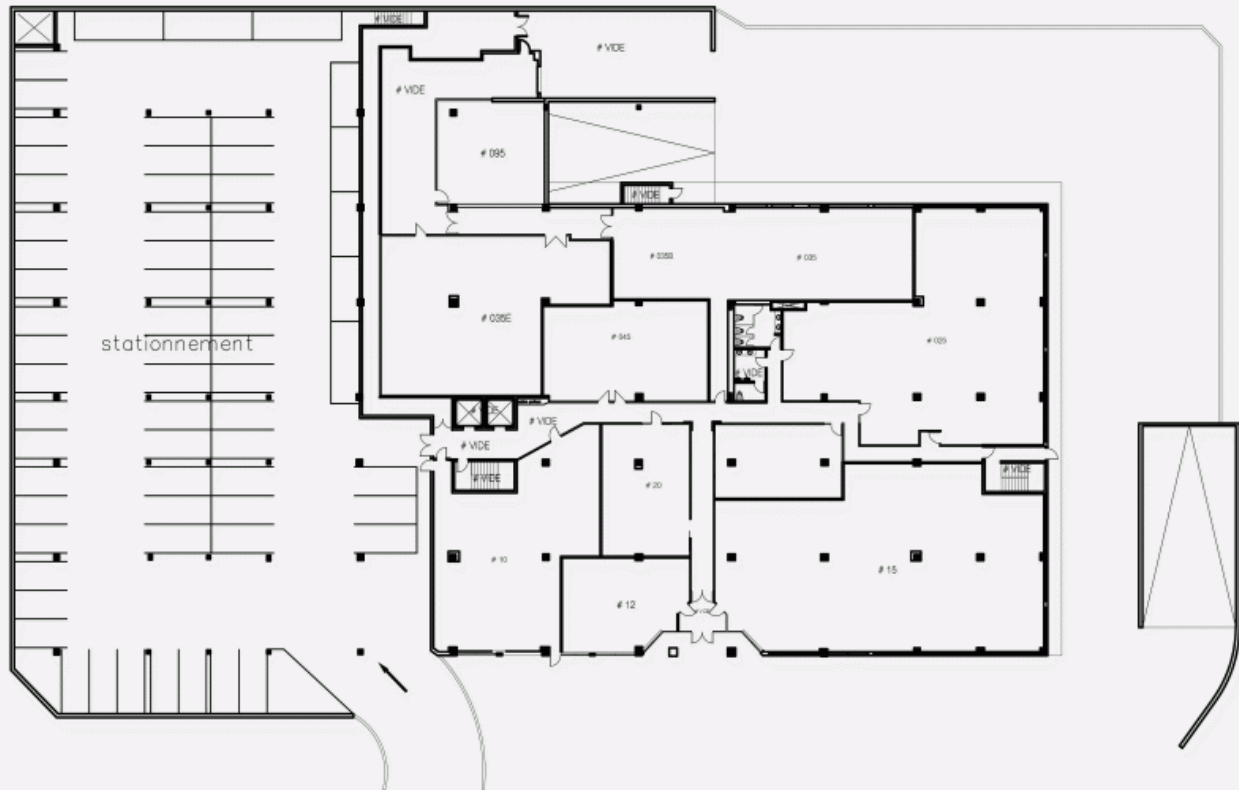


## Location Cominar

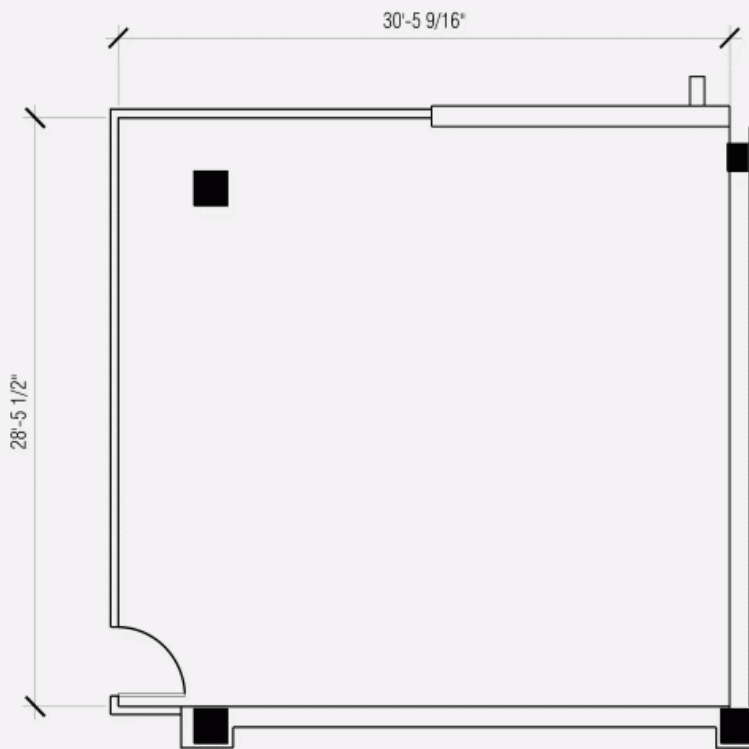


T 418 681-6300 #2418  
E LOCATIONQUEBEC@COMINAR.COM

LOCATION PLAN



DEVELOPMENT PLAN



**3175 Quatre-bourgeois Road, Quebec, QC, G1W 2K7**

**Suite #095**

