

# 3333 du Carrefour Street, Quebec, QC, G1C 5R9

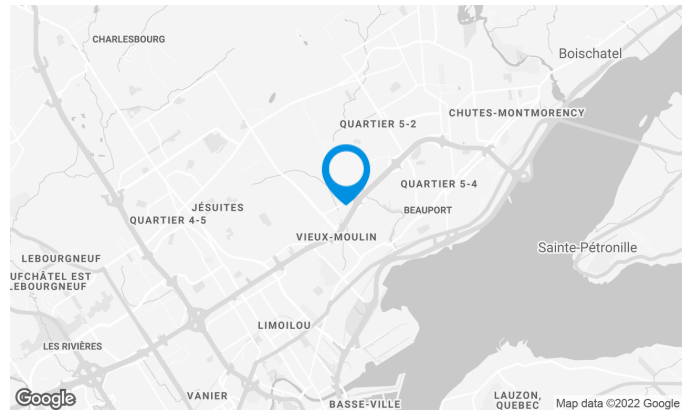
## Suite #270B



Easily accessible via Highway Félix-Leclerc, Les Promenades Beauport mainly serves the east-end of the greater Quebec City area, that is, the boroughs of Beauport, Charlesbourg, Ste-Brigitte-de-Laval, Côte-de-Beaupré and Île d'Orléans.

In 2002, new owner Cominar REIT inaugurated the mall and gave it its current name: Les Promenades Beauport. This shopping centre was expanded several times; namely, a second floor, with three new retail wings and two office areas, was added to the building.

The centre favourably serves the surrounding area, which has developed considerably.



## Building characteristics

TOTAL LEASING AREA	62,000 ft <sup>2</sup>
NUMBER OF FLOORS	1

## Location Cominar



T 418 681-6300 #2411  
E LOCATIONQUEBEC@COMINAR.COM

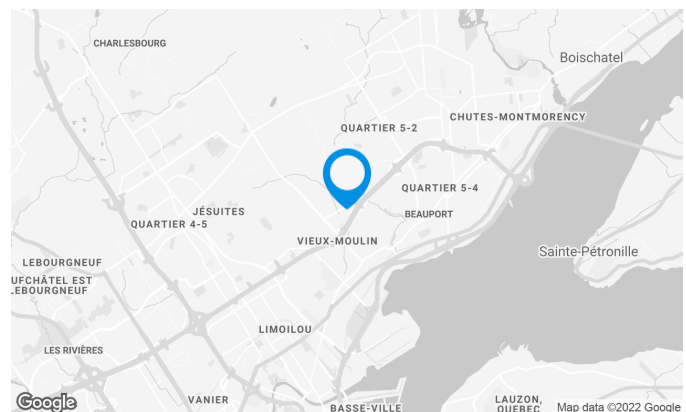
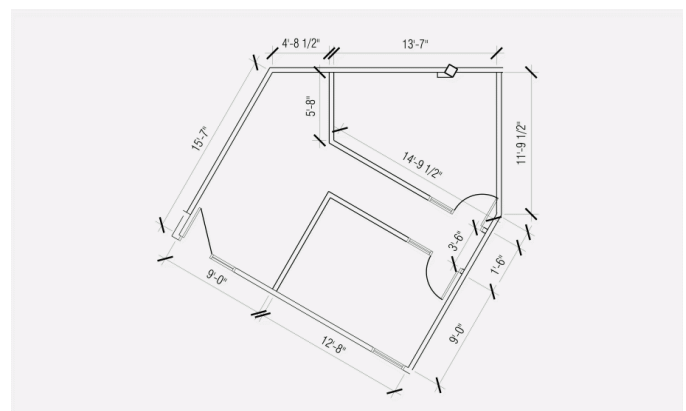
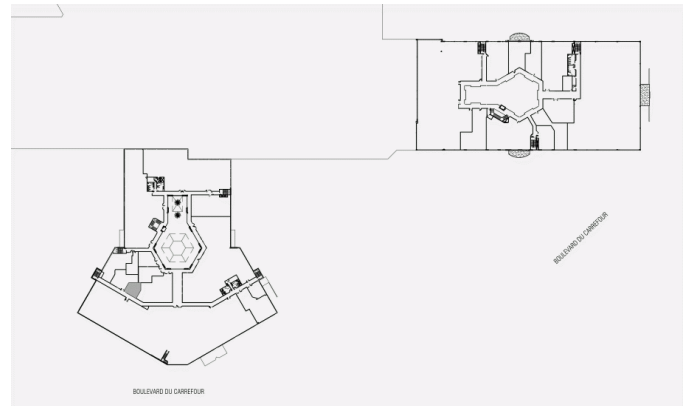
## Space characteristics

AVAILABLE LEASING AREA 512 ft<sup>2</sup>

AVAILABILITY Immediate

NUMBER OF FLOORS 1

FLOOR AREA 113,226 ft<sup>2</sup>



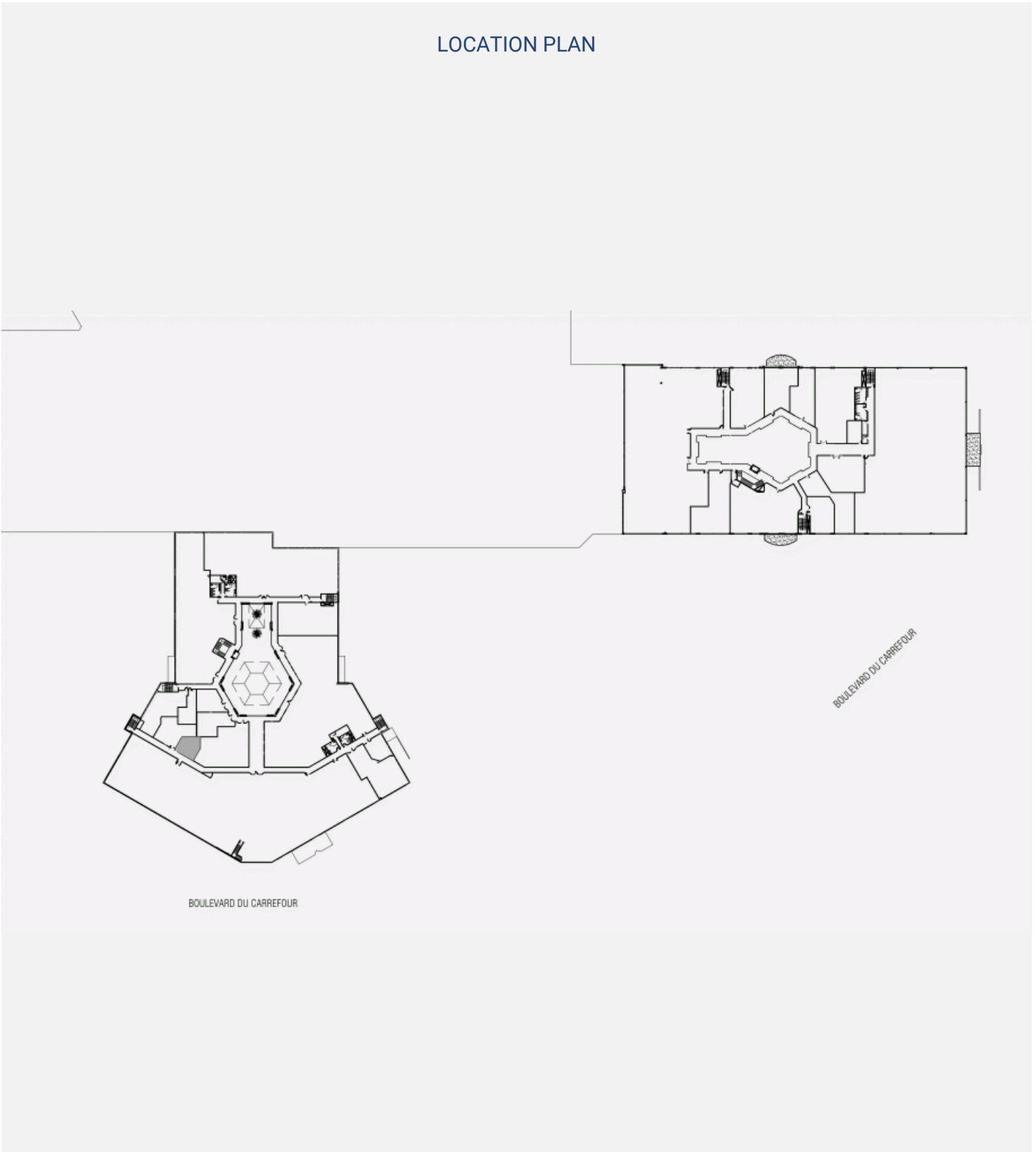
## Location Cominar



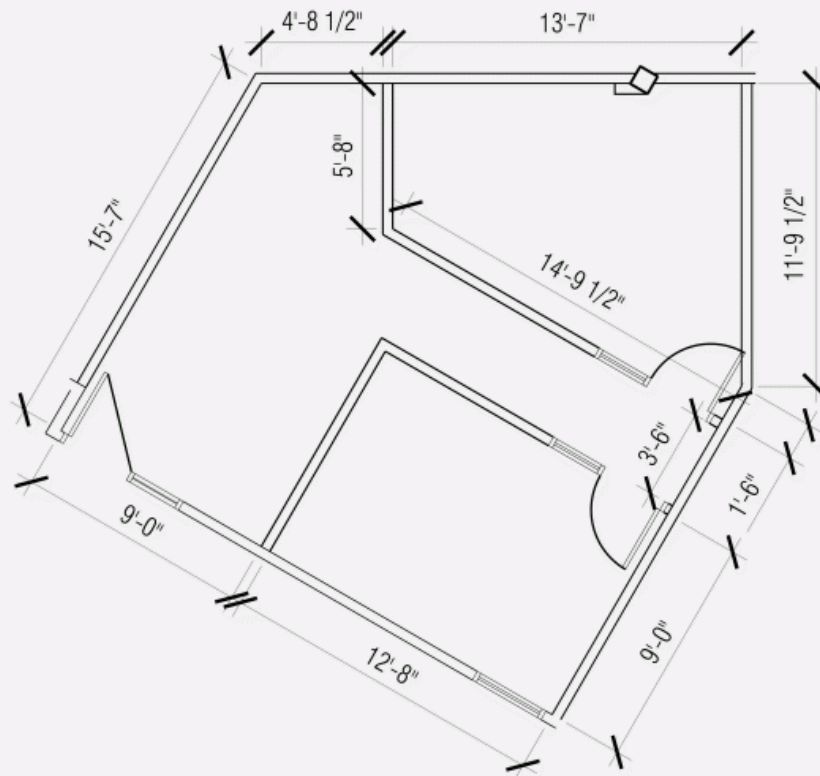
T 418 681-6300 #2411

E LOCATIONQUEBEC@COMINAR.COM

LOCATION PLAN



LAYOUT PLAN





Building image



Building Image



