

# 979 de Bourgogne Avenue, Quebec, QC, G1W 2L4

## Suite #130

Located in a commercial area of Sainte-Foy, at the intersection of Avenue Duchesneau and Chemin des Quatre-Bourgeois, between the Henri-IV and Duplessis highways.

### Building characteristics

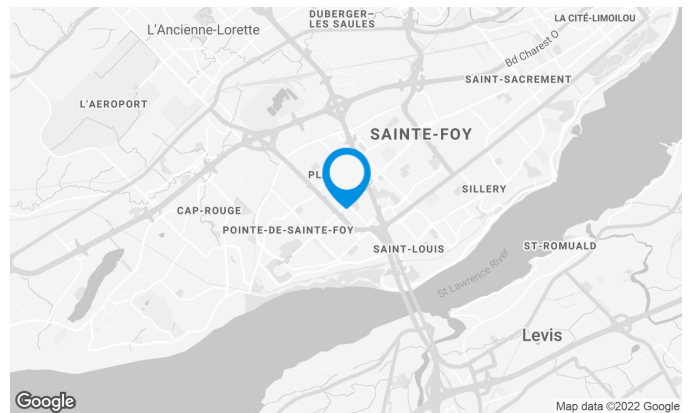
TOTAL LEASING AREA	67,149 ft <sup>2</sup>
YEAR OF RENOVATION	1996
YEAR OF CONSTRUCTION	1990
NUMBER OF FLOORS	5
ASCENCEURS	2
% COMMON AREA	11
OPTICAL FIBER	Yes
SPRINKLERS	Yes
SECURITY	Card system
BUILDING SERVICES	Secure acces with magnetic card. Free parking.

### BUILDING ACCESSIBILITY

OUTDOOR PARKING	145
PARC À VÉLOS DISPONIBLE	Yes
ROAD ACCESS	Chemin des Quatre-Bourgeois / Duplessis Highway
BUS	331/354/800/801

### AWARDS

Restaurants, shopping center, grocery and gym nearby.



### Location Cominar



T 418 681-6300 #2411  
E LOCATIONQUEBEC@COMINAR.COM

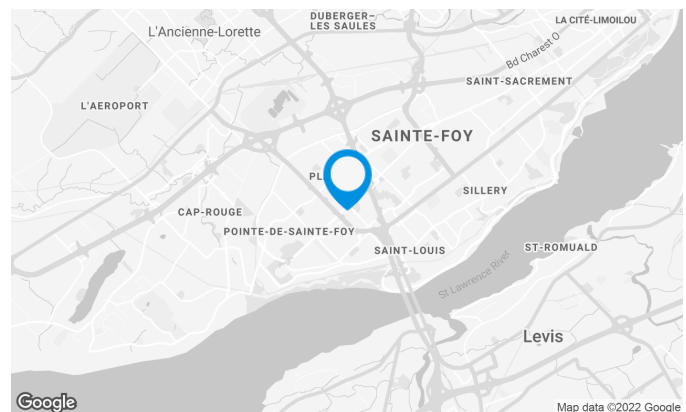
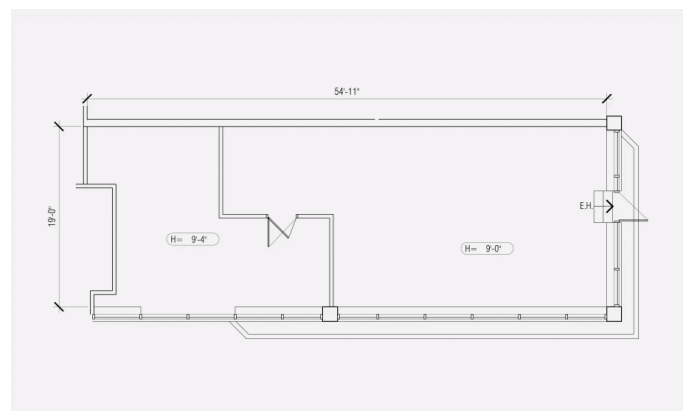
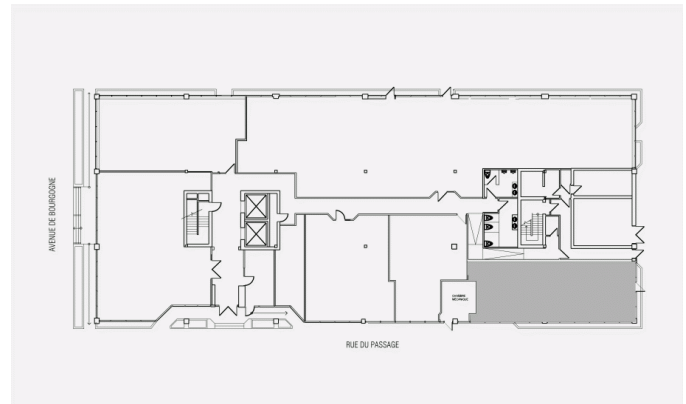
## Space characteristics

AVAILABLE LEASING AREA 1,216 ft<sup>2</sup>

AVAILABILITY July 2022

FLOOR AREA 13,429 ft<sup>2</sup>

HEIGHT 9' - 9'4"



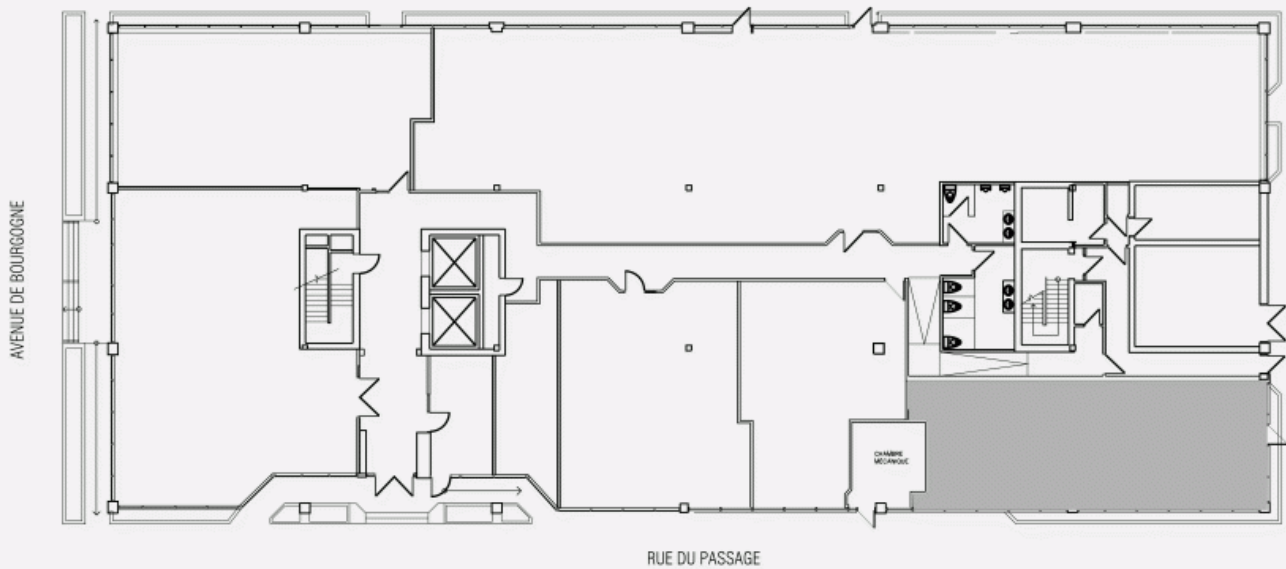
## Location Cominar



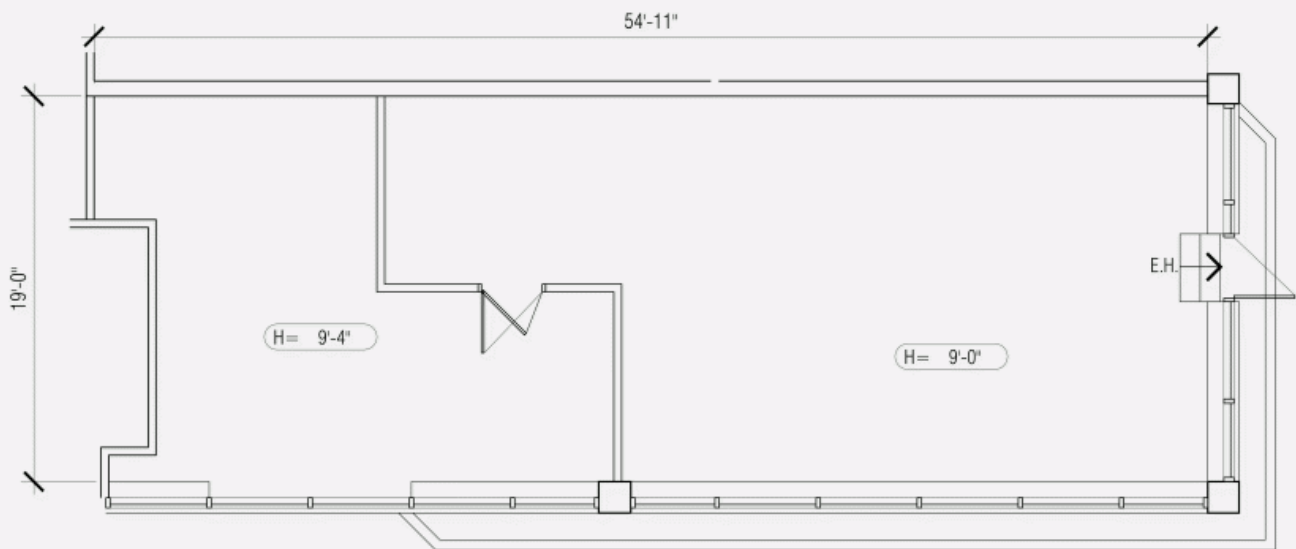
T 418 681-6300 #2411

E LOCATIONQUEBEC@COMINAR.COM

LOCATION PLAN



LAYOUT PLAN



**979 de Bourgogne Avenue, Quebec, QC, G1W 2L4**  
**Suite #130**

