

## Building characteristics

BUILDING AREA 53,499 ft<sup>2</sup>

LAND AREA 101,061 ft<sup>2</sup>

AVAILABILITY Immediate

YEAR OF CONSTRUCTION 1995

NUMBER OF FLOORS 3

SPRINKLERS Yes

BUILDING SERVICES Elevator

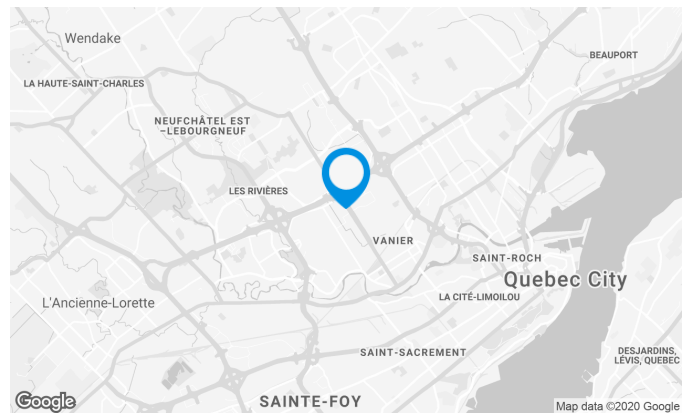
## BUILDING ACCESSIBILITY

PARKING - INDOOR 97

PARKING - OUTDOOR 169

ROAD ACCESS Located on the commercial artery of Pierre-Bertrand boulevard. Neighbor of Lebourgneuf district.

BUS 64, 65, 82, 82A, 185, 982



## Location Cominar



T 418 681-6300 #2411

E LOCATIONQUEBEC@COMINAR.COM

## Space characteristics

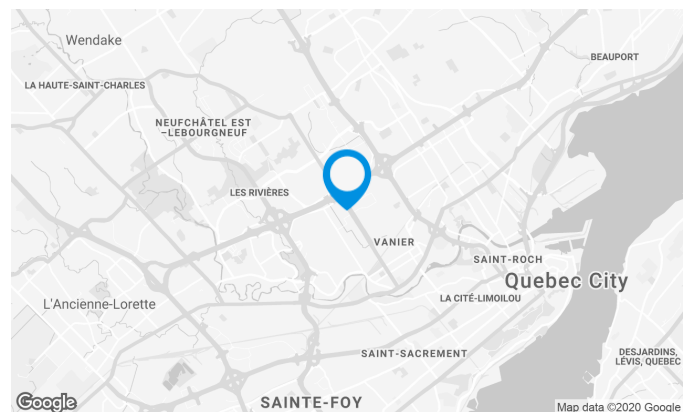
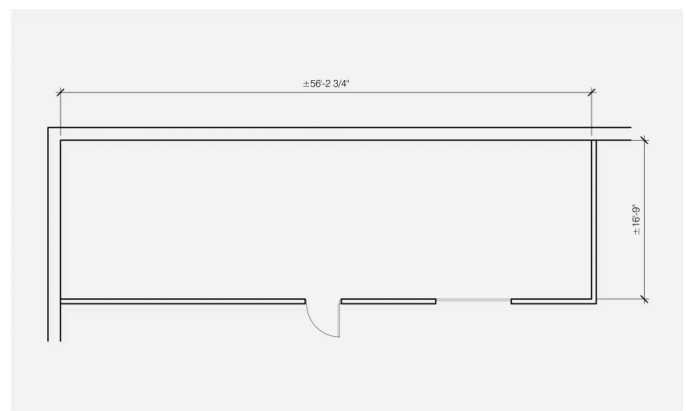
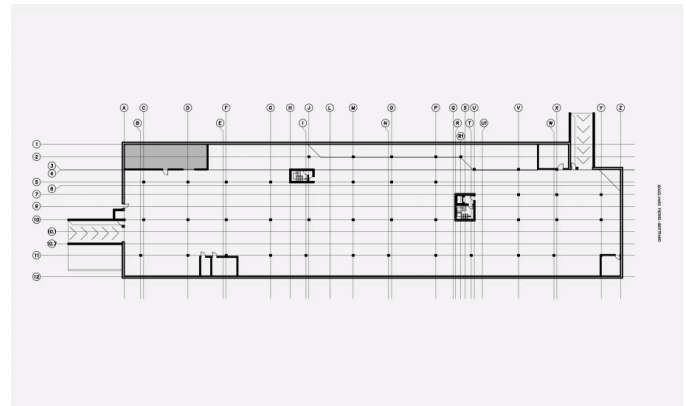
NUMBER OF FLOORS 1

HEIGHT 0'

**AVAILABLE LEASING AREA: 465 FT<sup>2</sup>**

OFFICES 465 ft<sup>2</sup>

AVAILABILITY Immediate



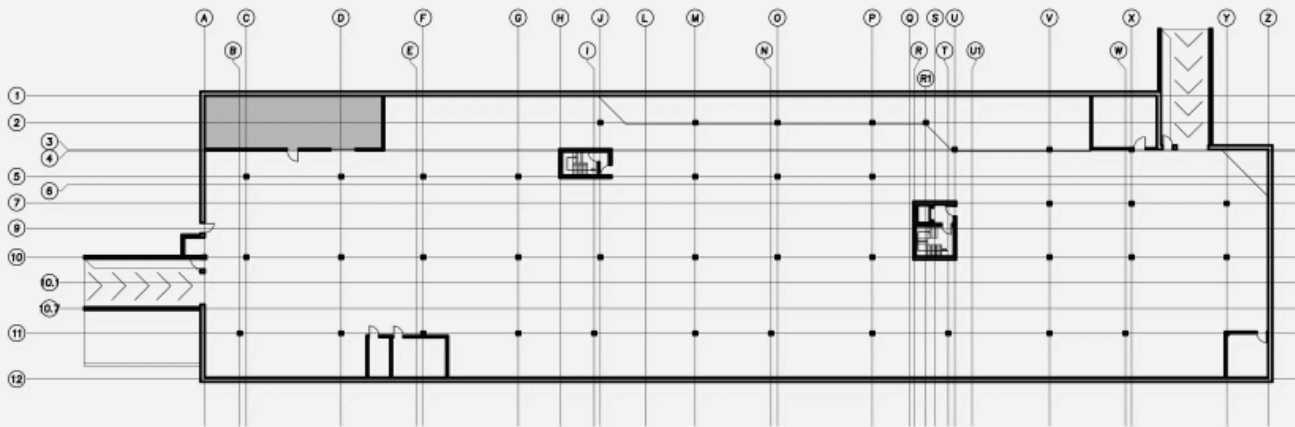
## Location Cominar



T 418 681-6300 #2411

E LOCATIONQUEBEC@COMINAR.COM

LOCATION PLAN



LAYOUT PLAN

