

Building characteristics

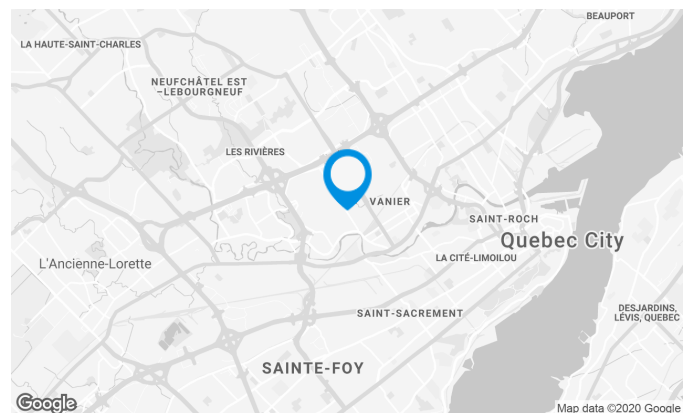
BUILDING AREA 60,594 ft²

LAND AREA 131,200 ft²

NUMBER OF FLOORS 1

BUILDING ACCESSIBILITY

PARKING - OUTDOOR 100



Location Cominar



T 418 681-6300 #2411

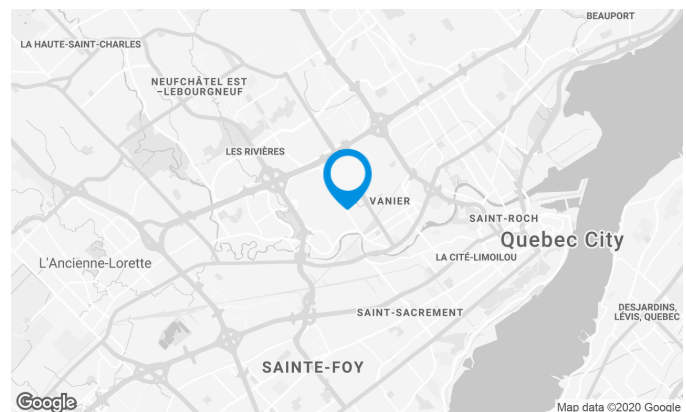
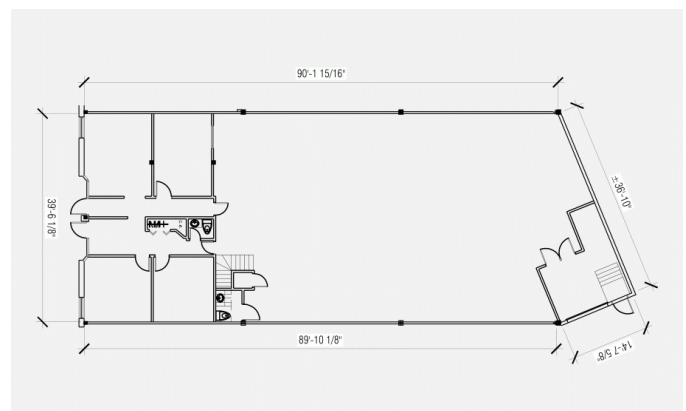
E LOCATIONQUEBEC@COMINAR.COM

Space characteristics

NUMBER OF FLOORS	1
HEIGHT	8' - 18'5"
SHIPPING	1 truck level

AVAILABLE LEASING AREA: 3,939 FT²

WAREHOUSE	3,939 ft ²
-----------	-----------------------

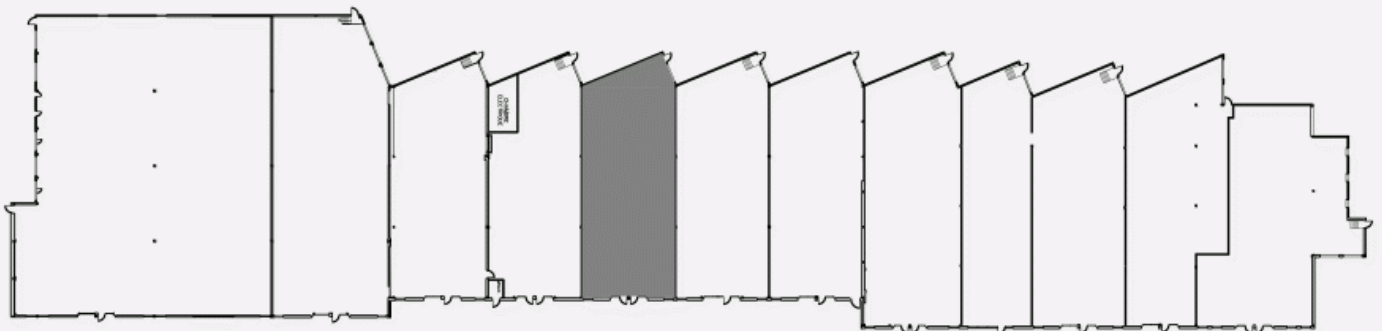


Location Cominar



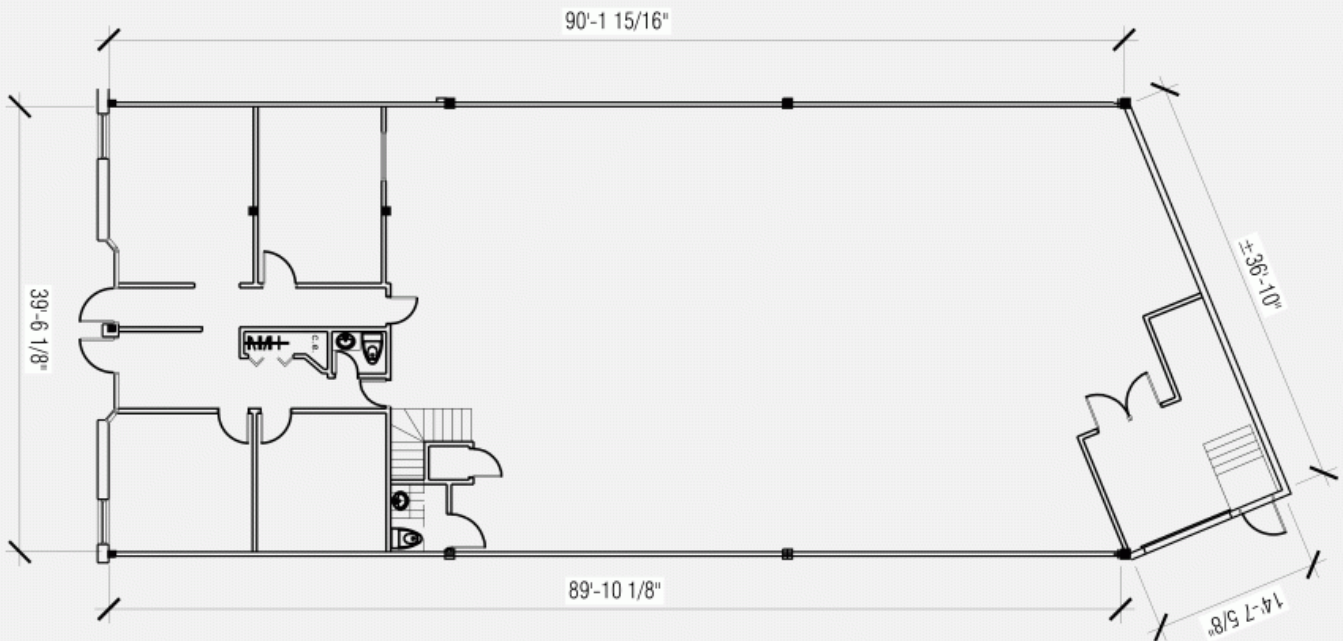
T 418 681-6300 #2411
E LOCATIONQUEBEC@COMINAR.COM

GROUND FLOOR PLAN



AVENUE GODIN

GROUND FLOOR PLAN



GROUND FLOOR PLAN

